



MY NEW WA 6.

SPECIFICATION AND OPTIONS



ALTENDORF®

ALTENDORF GROUP



WA 6: COMPACT, BUT AN ALTENDORF.

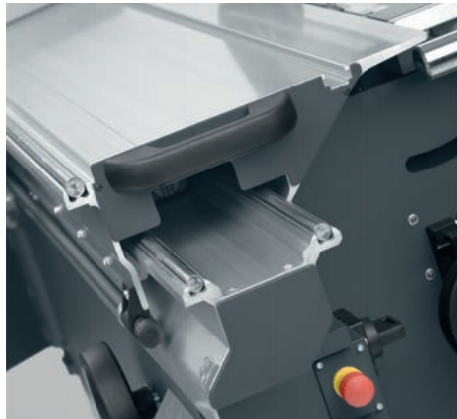


*WA 6 in CE version,
shown with 2600mm sliding table*

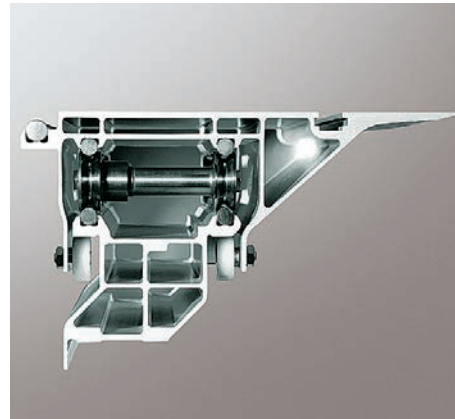
What to do when one has little space, plus a limited budget, but quality must still be maintained? When these requirements must be met by a sliding table saw, Altendorf's answer is: an Altendorf WA 6. The WA 6 is the smallest Altendorf there is. But in spite of its smaller dimensions, its considerable abilities are impressive: with its powerful range of equipment, it stands out even in the smallest space. Outstanding for its cut quality and its flexibility in everyday use. And just as outstanding is the price. So what else is there to be concerned about?



ALTENDORF – THE WORLD MARKET LEADER IN PROFESSIONAL SLIDING TABLE SAWS.



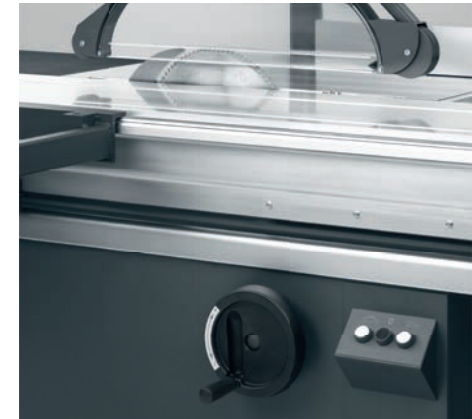
*The proven Altendorf sliding table
with steel bar guidance.*



*The multi-chamber system for
maximum rigidity of the sliding table.*



Manual tilt adjustment.



Manual rise/fall adjustment.

The Altendorf WA 6 is a quality sliding table saw for professional demands. Since the establishment of the company and the invention of the sliding table saw by Wilhelm Altendorf in 1906, Altendorf has been a synonym throughout the world for this type of machine. Altendorf has for decades been the unchallenged world market leader, and has now sold well over 200 000 sliding table saws in more than 130 countries around the globe. Altendorf manufactures at three production sites, in Minden, Germany, in Qinhuangdao, China, and in Blumenau, Brazil, using the latest technology and the highest standards.



PERFECT WORKING FROM THE WORD GO.



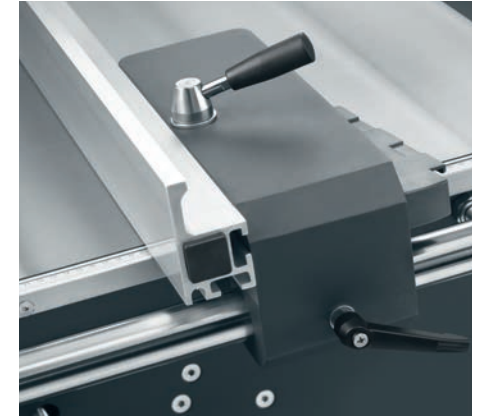
Safety hood with extraction hose above the main saw blade. CE version: extraction hose included in the basic specification; non CE version: optional.



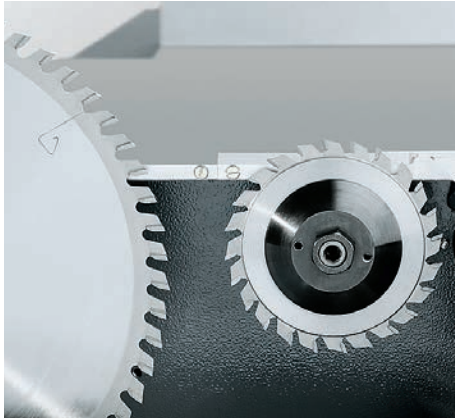
Crosscut-mitre fence: for accurate angle and mitre cutting in a single function. Cutting lengths: 105 – 2 600 mm. Mitre angle infinitely adjustable by up to 49°.



The optional big extraction hood ensures even more work safety and better handling of angle cuts. The hood can be adjusted to the respective material thickness steplessly and self-locking. The scope of delivery includes a narrow hood for 90° cuts and a wide hood for mitre cuts.



The rip fence, smooth and precise.



The scorer. Separate 0.37 kW scoring motor with on/off switch.



Short sliding table: if requested the machine can also be supplied with 1 600 mm table.

Working with the WA6 is a joy from the word go: the well thought-out and professional concept of the machine is immediately apparent. The finish is of the best engineering quality. Using the comprehensive range of equipment any cuts can be made with no difficulty, even down to special angle and mitre cuts. The machine is delivered to you fully preadjusted. So after just a few operations you can get going immediately. And the competitive price makes its contribution to the pleasure of owning an Altendorf WA6.





WA6 with short sliding table.

DETAILS:

Sliding table: 1 600, 2 000 or 2 600 mm

Cutting length: 1 500, 1 900 or 2 500 mm

Saw blade diameter:

CE version: max. 315 mm (saw blade projection max. 100 mm);

non-CE version: max. 350 mm (saw blade projection max. 117.5 mm)

Cutting width to rip fence: 1 040 mm

Crosscutting on the crosscut-mitre fence up to 2 600 mm

MOTOR:

Drive rating: 4 kW (5.5 HP)

Speed: 4 200 rpm

Scoring unit: 0.37 kW (0.5 HP)

SAW BLADE ADJUSTMENT:

Height adjustment: manual with hand wheel

Tilt adjustment: manual with hand wheel,
tilt angle indicated on a scale. From 0–45°

HOOD:

CE version: safety hood for max. saw blade diameter of 315 mm,
mounted on the riving knife, with extraction hose above the main saw blade

Non-CE version: safety hood for max. saw blade diameter of 350 mm,
mounted on the riving knife. Optional: with extraction hose above
the main saw blade

TO THE LEFT OF THE SAW BLADE:

Precise, robustly mounted crosscut-mitre fence for simple setting
and accurately reproducible 90°

Perfectly square connection of cross slide to sliding table

Flip stops with bilateral mountings clamp tightly to securely
hold the set dimension

Easily removable cross slide



SLIDING TABLE CUTTING LENGTHS

Sliding table length	With or without scoring saw blade
1 600 mm	1 500 mm
2 000 mm	1 900 mm
2 600 mm	2 500 mm

CUTTING HEIGHTS ¹⁾only non-CE version

Saw blade diameter (mm)	250	300	315	350 ¹⁾
Cutting height at 90° (mm)	0-67.5	0-92.5	0-100	0-117.5
Cutting height at 45° (mm)	0-48	0-65.5	0-70.7	0-83

Maximum groove width 15 mm

MACHINE WEIGHT

450 kg

TABLE HEIGHT

910 mm

SPACE REQUIREMENT

- A Sliding table length + 220 mm
for 1 600 mm and 2 000 mm sliding table
Sliding table length + 290 mm for 2 600 mm sliding table
- B Sliding table length + 220 mm
- C 873 mm for 1 600 mm and 2 000 mm sliding table
1 273 mm for 2 600 mm sliding table

DUST EXTRACTION CONNECTIONS

- Top connection: Ø = 50 mm
- Big extraction hood: Ø = 80 mm
- Bottom connection: Ø = 100 mm

